

**PAPAILIAS TYPE 2 WINDOW WASHER |**

PAPAILIAS, Inc. Spray Washers offer users a convenient way for the occasional or continuous automatic cleaning of the sight glass lens without the need to remove the lens from service. Our Spray Washer units may also be combined with our Type 1 or Type 2 Window Wiper to facilitate clear, unobstructed viewing of a vessel's interior.

Type II Spray Washer are available for weld pad style sight glasses series NW100, NW125, NW150, and NW200. All parts in contact with the process fluid are made of stainless steel. Specify as TY2 SW followed by the sight glass size.

**DESIGN CONDITIONS:**

**Pressure:** In accordance with sight glass rating.

**Temperature:** In accordance with sight glass rating.

**STANDARD MATERIALS OF CONSTRUCTION:**

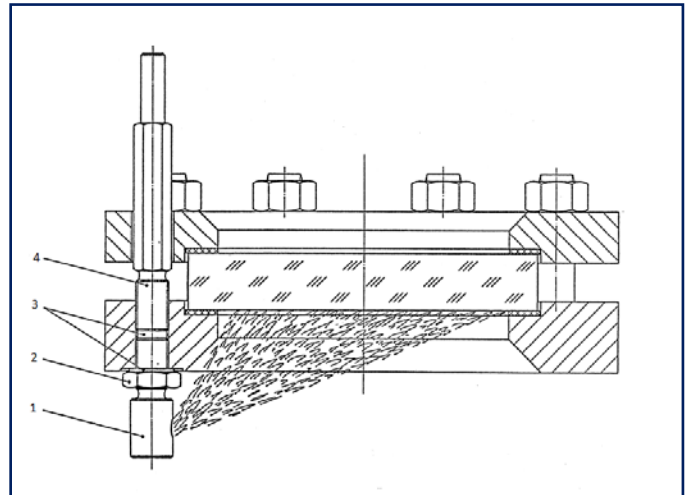
Item	Description	Material
1	Spray Head	Type 316/316L SST [Standard] Alloy C276 Alloy C22 Alloy 20 Alloy 625 Other upon request
2	Lock Nut	Type 316/316L SST [Standard] Alloy C276 [Option] Alloy C22 [Option] Alloy 20 [Option] Alloy 625 [Option] Other upon request
3	Seal Gasket	PTFE; ≤ 500°F Max [Standard] Graphite; >500°F [Option] Other upon request
4	Inlet Piping	Type 316/316L SST [Standard] Alloy C276 Alloy C22 Alloy 20 Alloy 625 Other upon request

**DOCUMENTATION:**

- a. Certified Material Test Report [CMTR] for Spray Head
- b. Certificate of Conformance



PAPAILIAS, Inc. Series TYPE 2 Spray Washer



PAPAILIAS, Inc. Series TYPE 2 Spray Washer  
[Schematic View]

**ORDERING INFORMATION:**

Part Number	Size/Model	Construction
TY2SW-NW100	NW100	316 SST
TY2SW-NW125	NW125	316 SST
TY2SW-NW150	NW150	316 SST
TY2SW-NW200	NW200	316 SST